

- [54] RECONFIGURABLE TOY JET-PLANE
- [75] Inventor: Kaoru Matsumoto, Tokyo, Japan
- [73] Assignee: Takara Co., Ltd., Tokyo, Japan
- [**] Term: 14 Years
- [21] Appl. No.: 764,383
- [22] Filed: Aug. 9, 1985

[30] Foreign Application Priority Data

- Feb. 12, 1985 [JP] Japan 60-4692
- [52] U.S. Cl. D21/87; D21/150;
D21/166
- [58] Field of Search D21/59, 87, 91, 150,
D21/166; D12/319, 320, 343, 342; 446/94, 95,
487, 71, 72, 75, 76-78

[56] References Cited

U.S. PATENT DOCUMENTS

- D. 182,597 4/1958 Kartveli D12/342
- D. 187,405 3/1960 Gasich et al. D12/342
- D. 256,905 9/1980 McComas et al. D12/342
- D. 279,804 7/1985 Ohno D21/166
- D. 287,037 12/1986 Matsushiro D21/87
- D. 289,426 4/1987 Lim D21/87

Primary Examiner—Charles A. Rademaker
Attorney, Agent, or Firm—Price, Gess & Ubell

[57] CLAIM

The ornamental design for a reconfigurable toy jet-plane, substantially as shown and described.

DESCRIPTION

FIG. 1 is a front and side perspective view of a reconfigurable toy jet plane, showing my new design;
FIG. 2 is a front elevational view thereof;
FIG. 3 is a side elevational view thereof, the side opposite being substantially a mirror image;
FIG. 4 is a rear elevational view thereof;
FIG. 5 is a top plan view thereof;
FIG. 6 is a bottom plan view thereof;
FIG. 7 is a front and side perspective view of the design shown in FIGS. 1 through 6 reconfigured in robotic humanoid configuration;
FIG. 8 is a front elevational view thereof;
FIG. 9 is a side elevational view thereof, the side opposite being substantially a mirror image;
FIG. 10 is a rear elevational view thereof;
FIG. 11 is a top plan view thereof; and
FIG. 12 is a bottom plan view thereof.

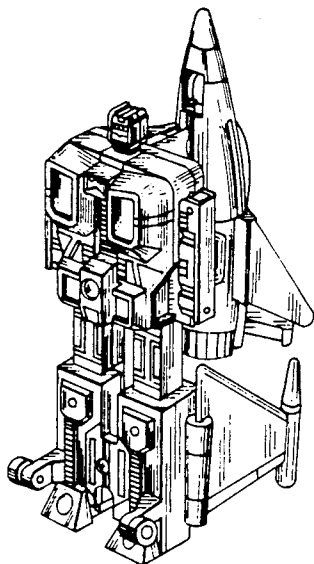
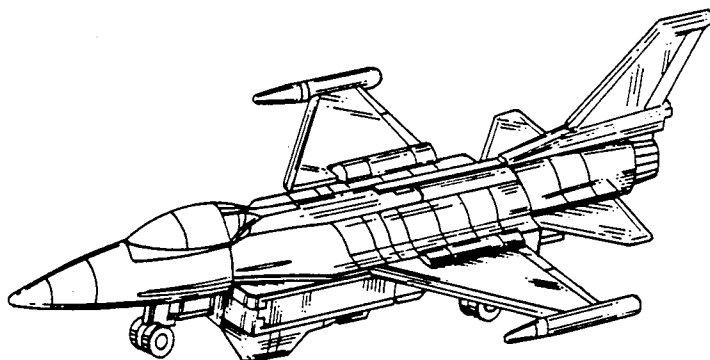


FIG. 1

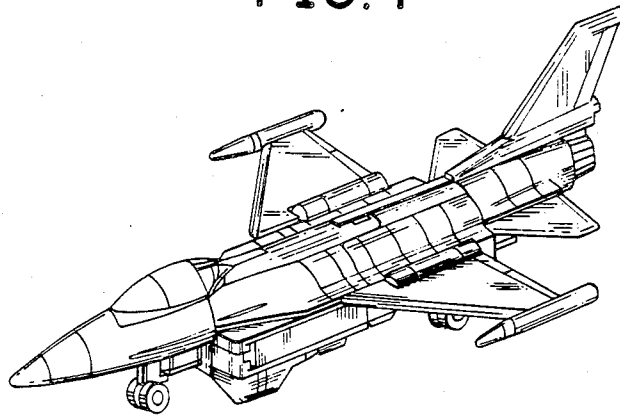


FIG. 2

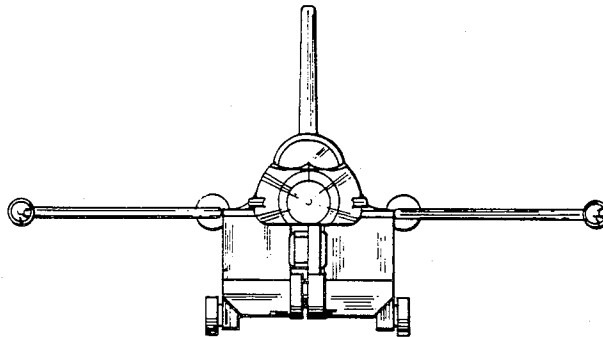


FIG. 3

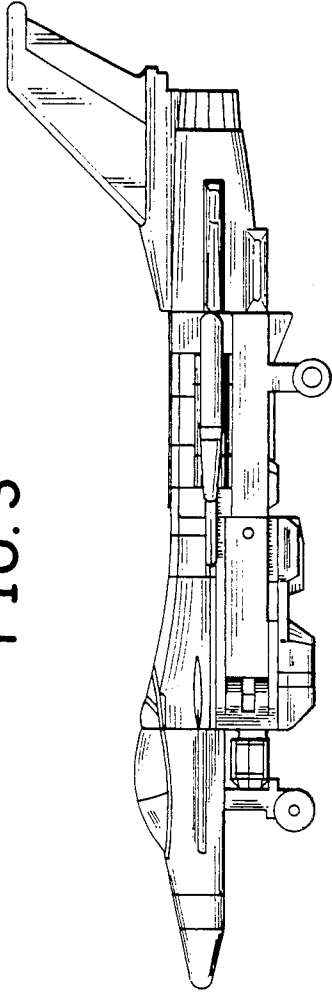


FIG. 4

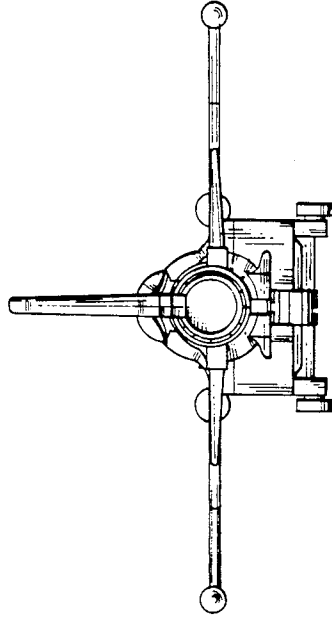


FIG. 5

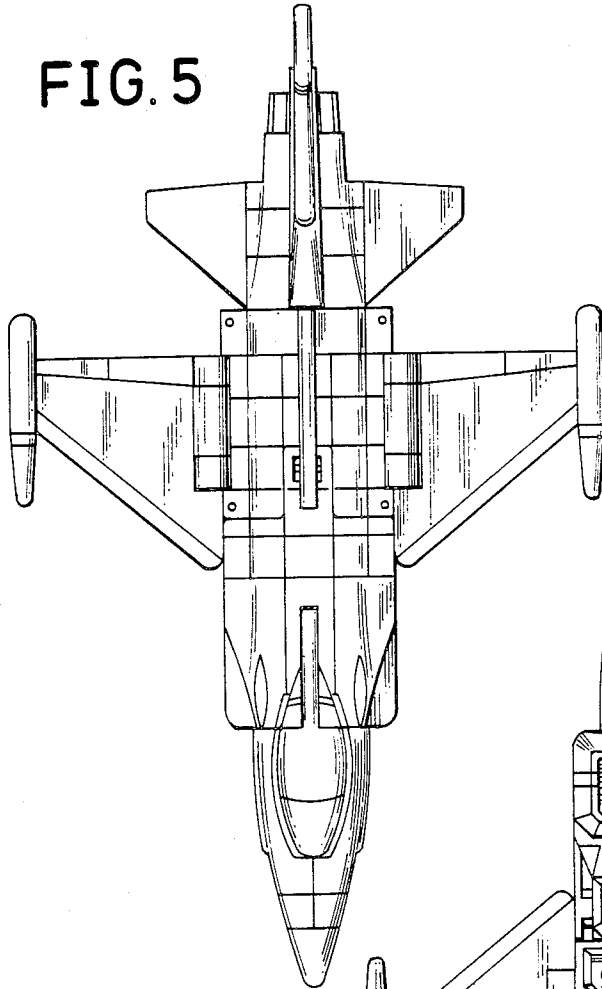


FIG. 6

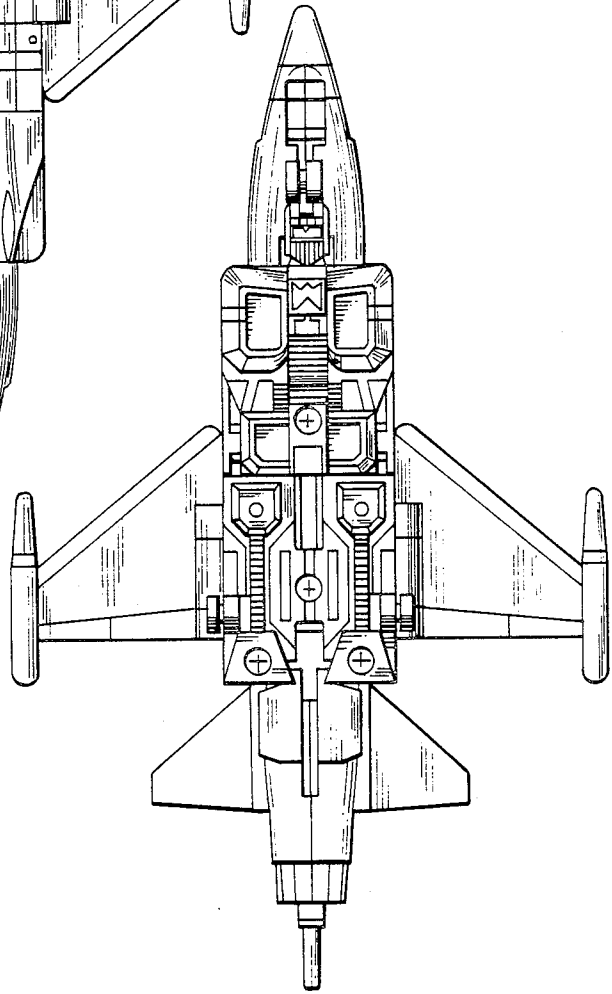


FIG. 9

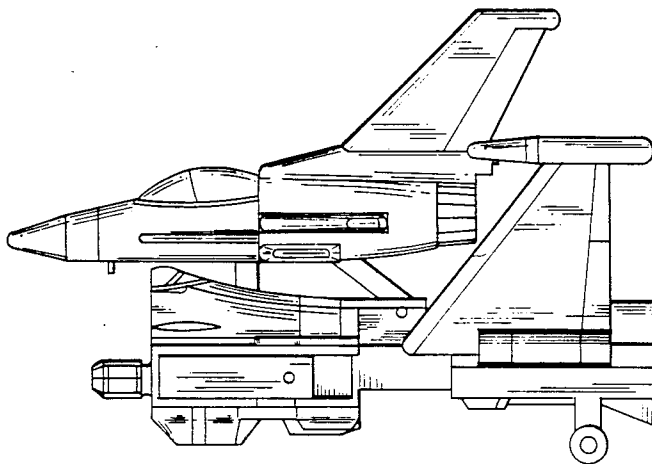


FIG. 8

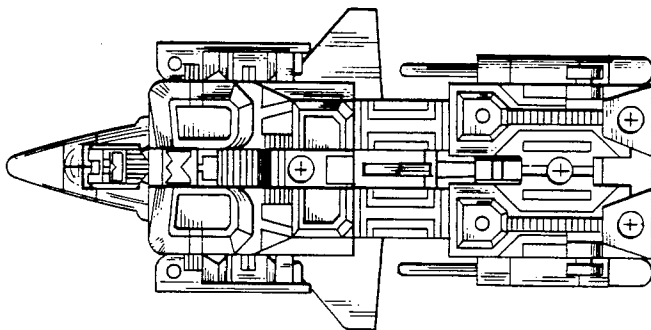


FIG. 7

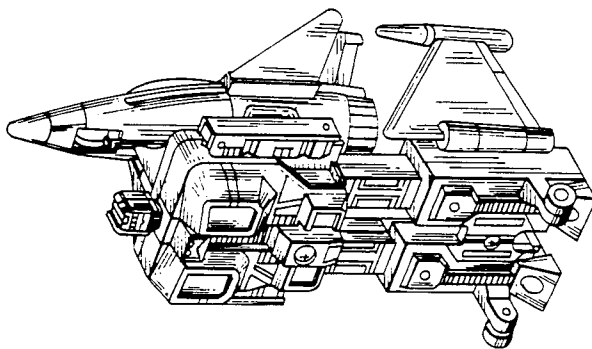


FIG.10

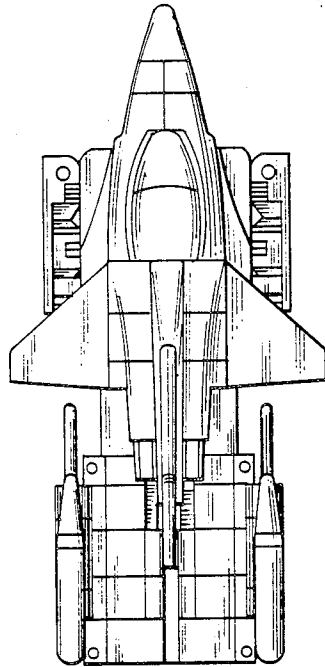


FIG.11

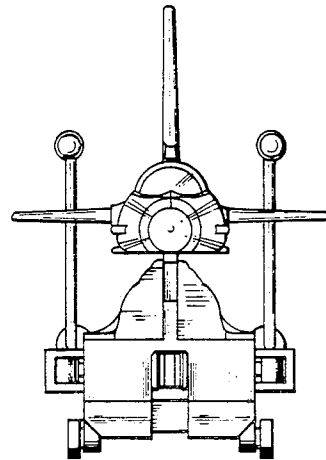


FIG.12

