

[54] CHANGEABLE ROBOT TOY

[75] Inventor: Yukimitsu Matsushiro, Tokyo, Japan

[73] Assignee: Kabushiki Kaisha Matsushiro, Japan

[**] Term: 14 Years

[21] Appl. No.: 606,841

[22] Filed: May 1, 1984

[52] U.S. Cl. D21/150; D21/136

[58] Field of Search D21/150, 128, 136, 137; 446/93-98, 487, 71, 72, 75, 76, 77

[56] References Cited

U.S. PATENT DOCUMENTS

D. 279,307	6/1985	Murakami	D21/150
D. 279,592	7/1985	Ogawa	D21/150
D. 281,087	10/1985	Ohno	D21/150
4,183,173	1/1980	Ogawa	446/94
4,391,060	7/1983	Nakane	446/97

Primary Examiner—Melvin B. Feifer
Attorney, Agent, or Firm—Lowe, Price, LeBlanc,
Becker & Shur

[57] CLAIM

The ornamental design for a changeable robot toy, as shown.

DESCRIPTION

FIG. 1 is a front perspective view of a changeable robot toy showing my new design.

FIG. 2 is a rear perspective view thereof.

FIG. 3 is a front view.

FIG. 4 is a rear view.

FIG. 5 is a top plan view.

FIG. 6 is a bottom plan view.

FIG. 7 is a left side view.

FIG. 8 is a right side view.

FIG. 9 is a right perspective view of a transitory stage to a vehicle.

FIG. 10 is a right perspective view of a further transitory stage thereof.

FIG. 11 is a perspective view of a further transitory stage to a vehicle.

FIG. 12 is a perspective view of a further transitory stage thereof.

FIG. 13 is a perspective view of a further transitory stage thereof.

FIG. 14 is a rear perspective view of the changeable robot toy in the form of a vehicle with the cover not yet opened.

FIG. 15 is a front perspective view from the opposite side of FIG. 14.

FIG. 16 is a front perspective view thereof wherein the cover is open.

FIG. 17 is a rear perspective view of FIG. 16.

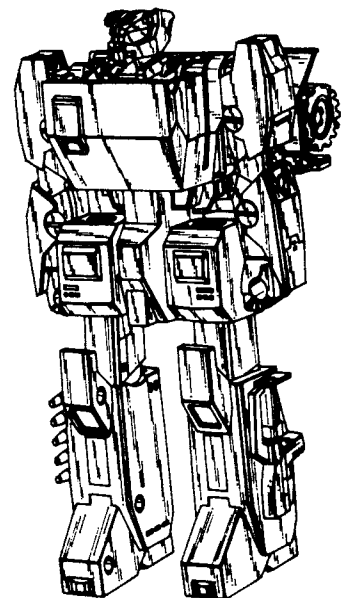
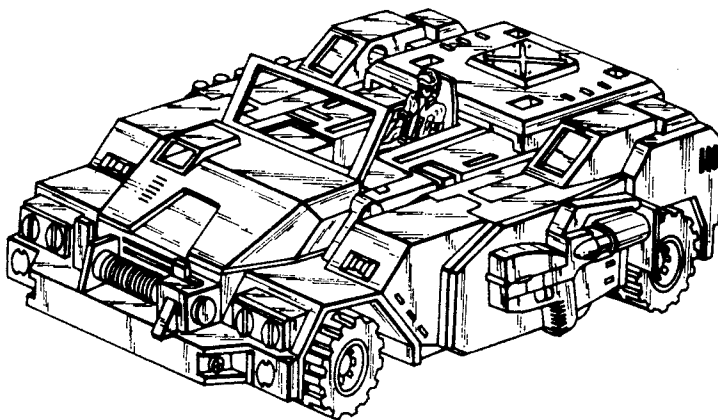


FIG. 1

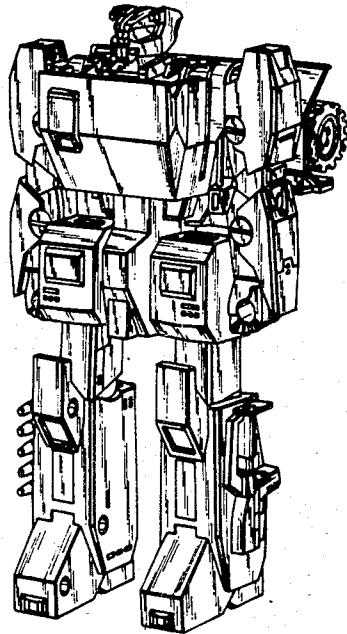


FIG. 2

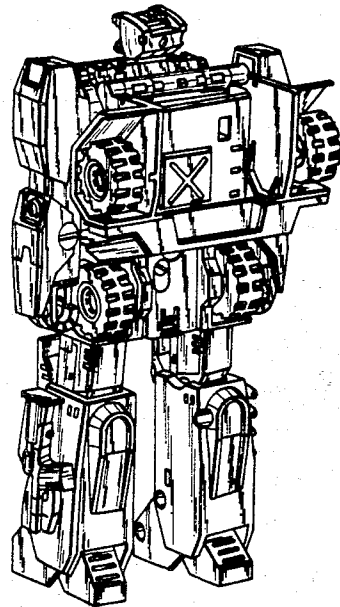


FIG. 3

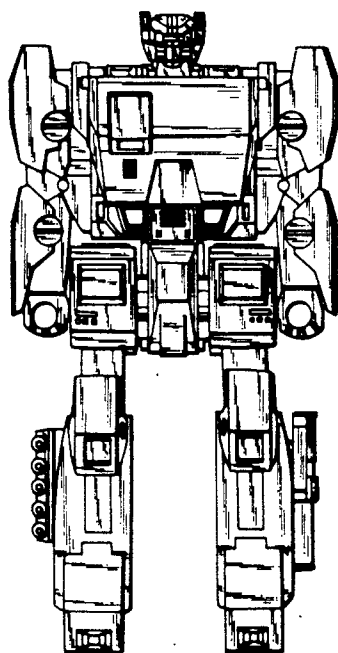


FIG. 4

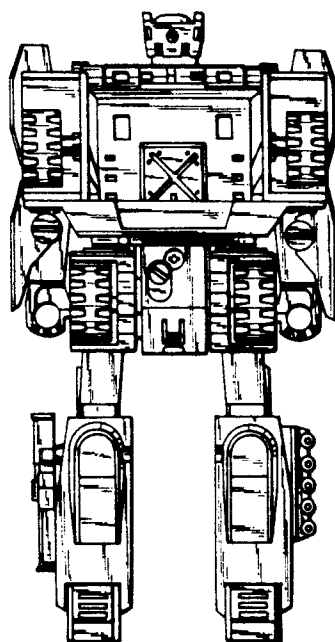


FIG. 5

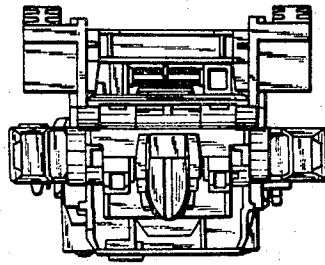


FIG. 6

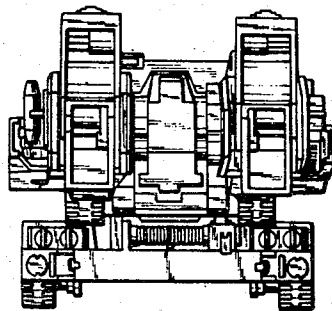


FIG. 7

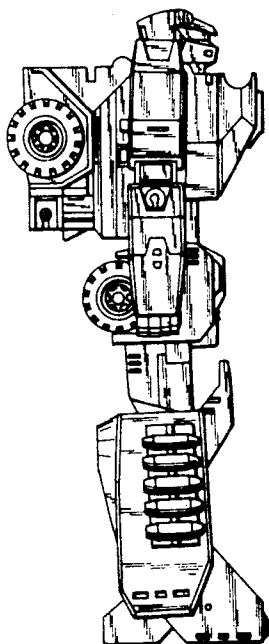


FIG. 8

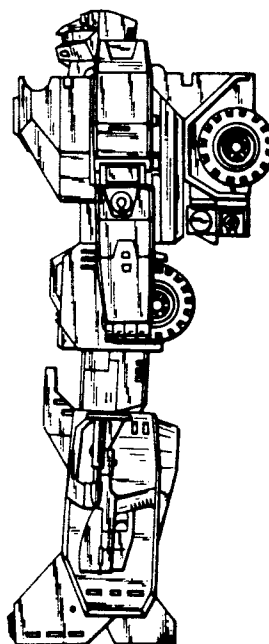


FIG. 9

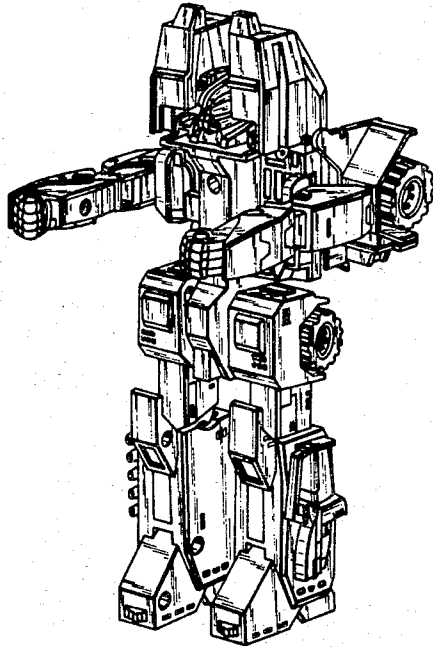


FIG. 10

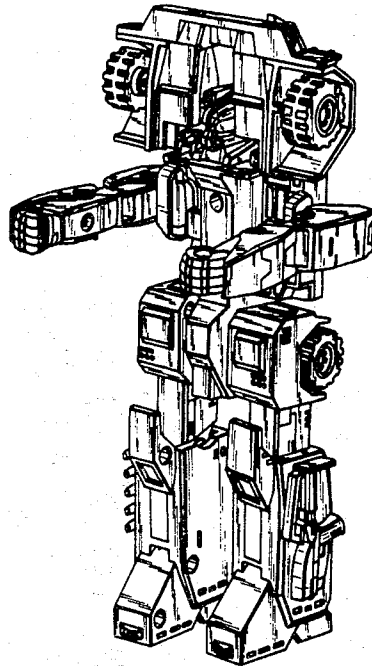


FIG. 11

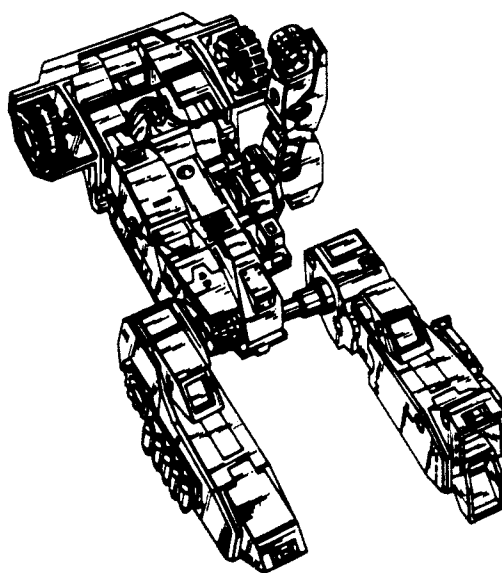


FIG. 12

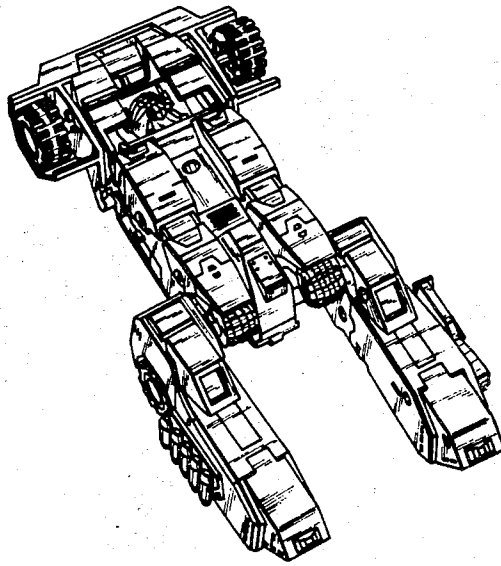


FIG. 13

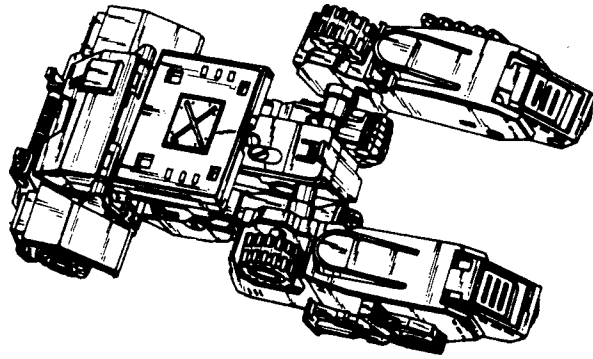


FIG. 14

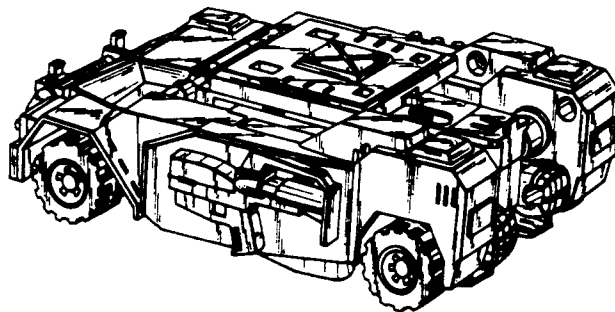


FIG. 15

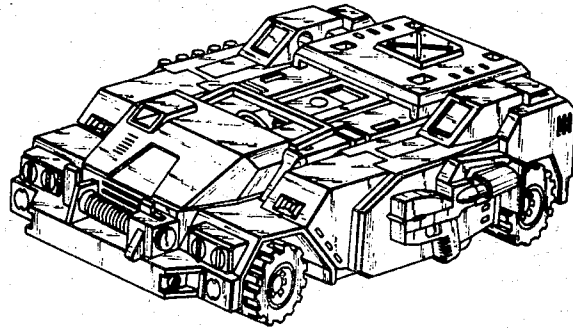


FIG. 16

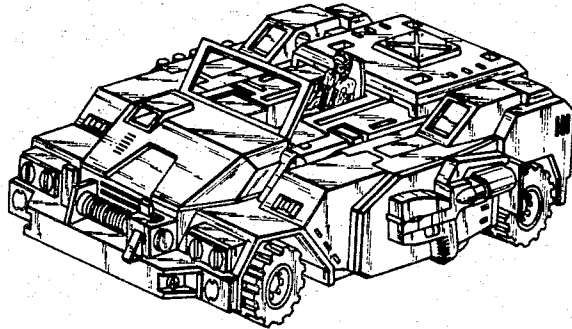


FIG. 17

