

[54] RECONFIGURABLE TOY VEHICLE

[75] Inventor: Kouzin Ohno, Tokyo, Japan

[73] Assignee: Takara Co., Ltd., Tokyo, Japan

[**] Term: 14 Years

[21] Appl. No.: 587,355

[22] Filed: Mar. 8, 1984

[30] Foreign Application Priority Data

Jun. 15, 1983 [JP] Japan 58-91863

[52] U.S. Cl. D21/136; D21/150; D21/166

[58] Field of Search D21/128, 136, 150, 166, D21/137; 446/71, 72, 73, 76, 77, 487; D12/82, 86, 89, 90

[56] References Cited

U.S. PATENT DOCUMENTS

- D. 224.744 9/1972 Spiegel D21/136
- D. 274.633 7/1984 Terui et al. D21/136
- D. 274.635 7/1984 Terui D21/136
- D. 275.122 8/1984 Murakami D21/150
- 4.456.384 6/1984 Murakami 446/487

FOREIGN PATENT DOCUMENTS

- 551662 1/1980 Japan 446/487
- 2122908 1/1984 United Kingdom 446/487
- 2128489 5/1984 United Kingdom 446/487

Primary Examiner—Charles A. Rademaker
Attorney, Agent, or Firm—Price, Gess & Ubell

[57] CLAIM

The ornamental design for a reconfigurable toy vehicle, substantially as shown and described.

DESCRIPTION

FIG. 1 is a side perspective view of a reconfigurable toy vehicle showing my new design;
 FIG. 2 is a top plan view;
 FIG. 3 is a left elevational side view which is a mirror image of the right elevational side view;
 FIG. 4 is a front elevational view;
 FIG. 5 is a rear elevational view;
 FIG. 6 is a bottom plan view;
 FIG. 7 is a front elevational view of the design shown in FIGS. 1 through 6 reconfigured in the form of a toy robot.
 FIG. 8 is a right elevational side view which is a mirror image of the left elevational side view;
 FIG. 9 is a rear elevational view;
 FIG. 10 is a top plan view, and
 FIG. 11 is a bottom plan view.

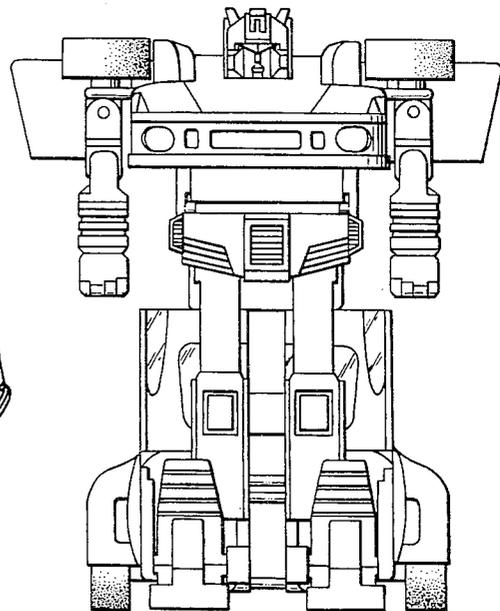
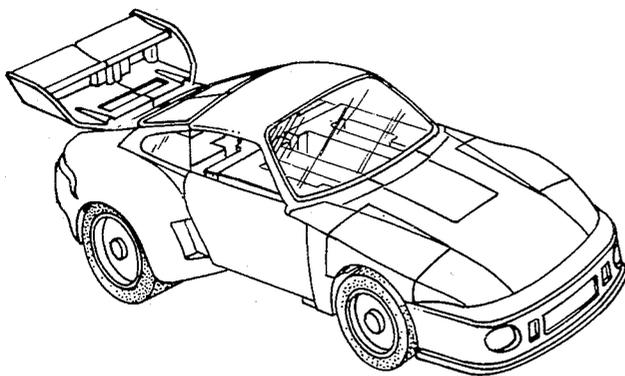


FIG. 1

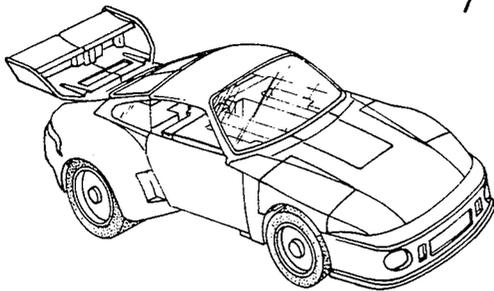


FIG. 2

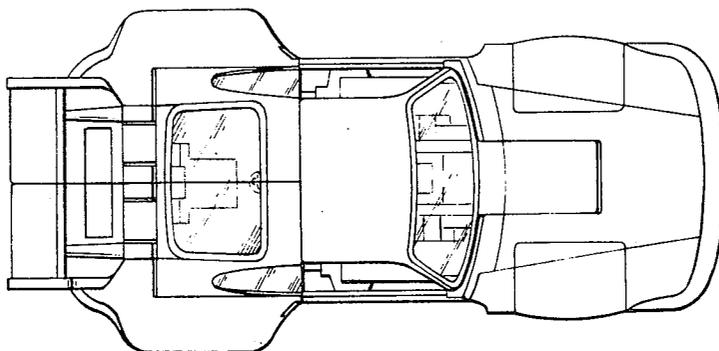


FIG. 3

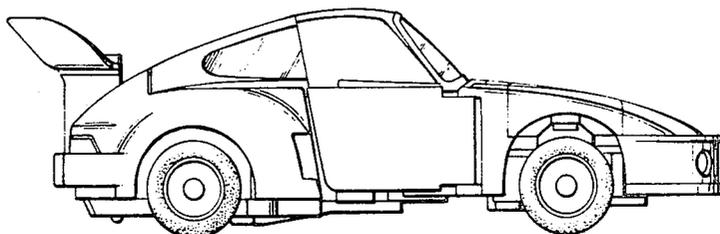


FIG. 4

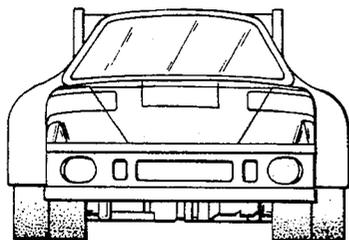


FIG. 5

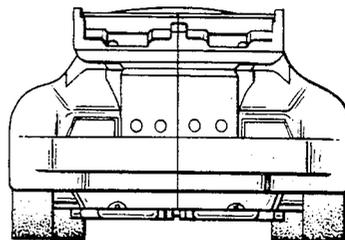


FIG. 6

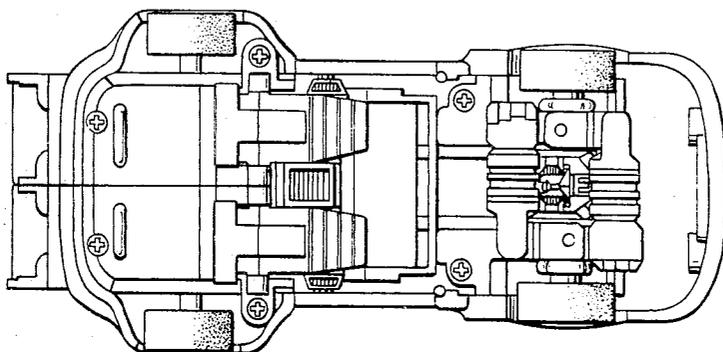


FIG. 7

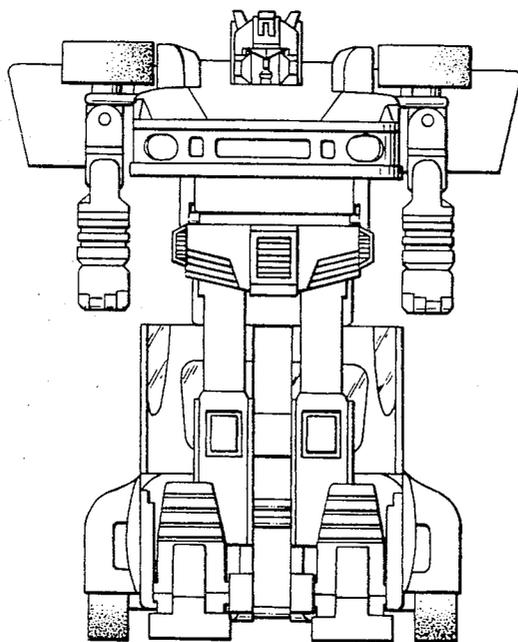


FIG. 8

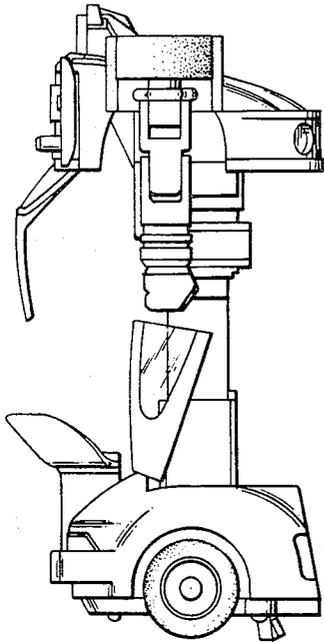


FIG. 9

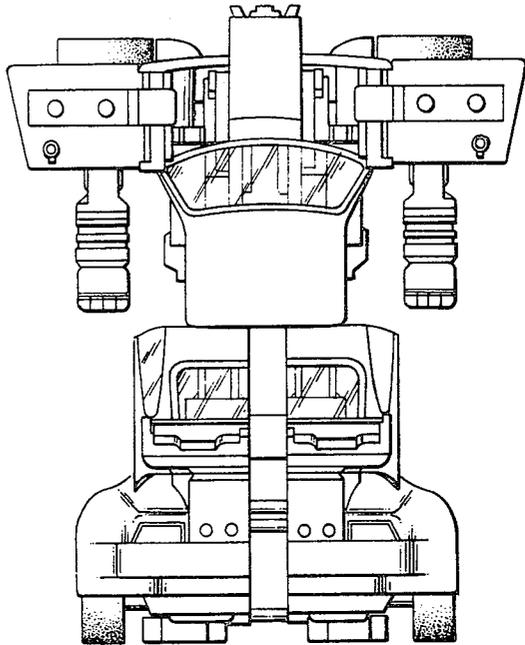


FIG. 10

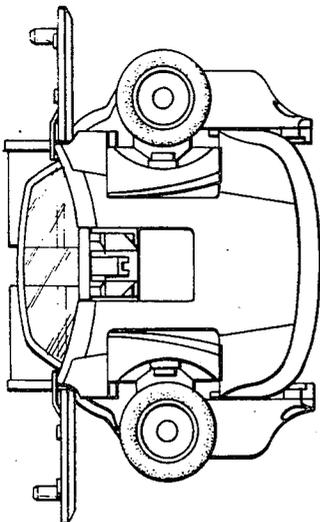


FIG. 11

